

Optimizing Fabrication and Optical Detection of Battery-Free Colorimetric Leaf Sensors

Brian Huang

Poster A16

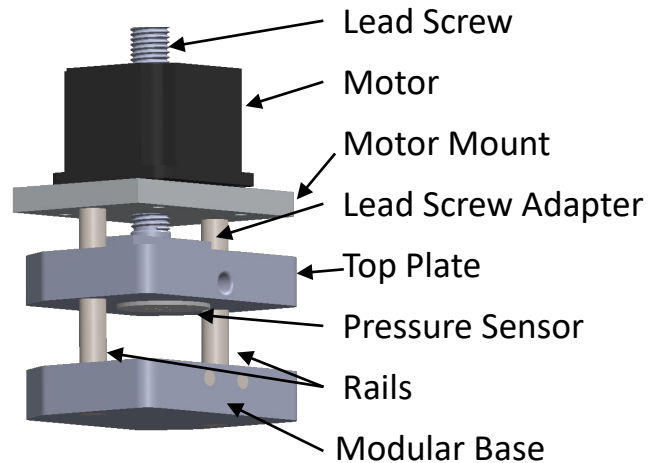
SUNFEST REU Program

PI: Cherie Kagan

Mentors: Chavez Lawrence, Shobhita Kramadhati and Akhila Mallavarapu

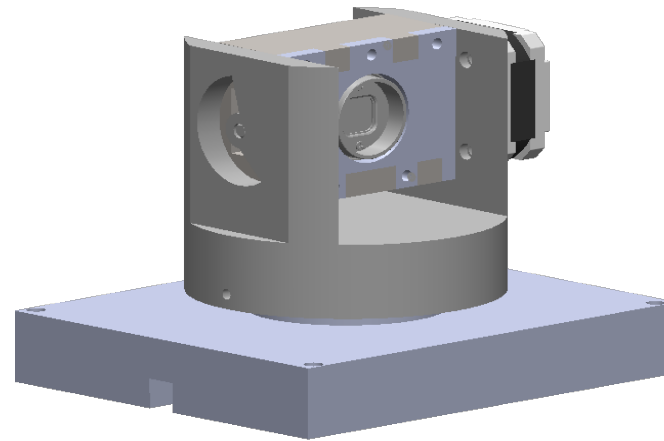
Colorimetric Leaf Sensors: Fabrication and Optical Detection

Project 1: Custom Imprint Tool



Design a custom imprint tool that incorporate pressure, temperature, and humidity control

Project 2: Custom Camera Mount For Sensor Detection



Design a mount to allow forward-facing RGB Camera (FLIR) camera to capture sensors located a various heights



Determine the angle at which the sensors are relative to the camera