

An Anisotropic Conductive and Chronically Stable Adhesive Interface for Bioelectronics

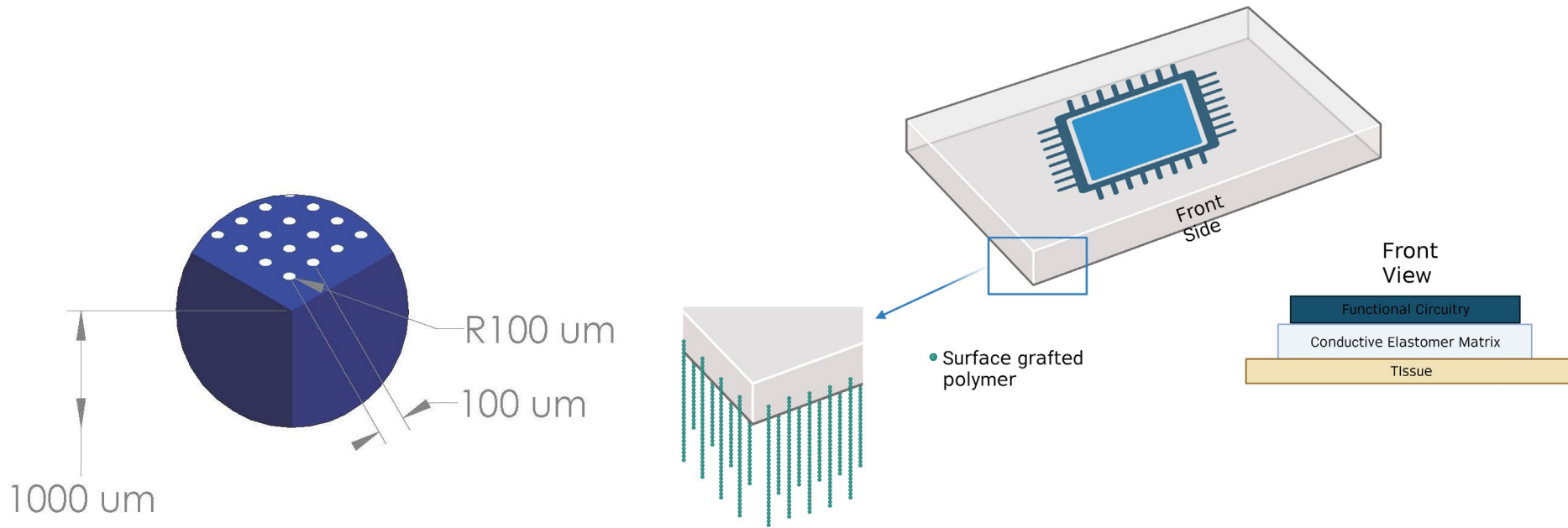
Brock Horton

Poster A15

SUNFEST REU Program

PI: Yuanwen Jiang

Mentor: Yewei Huang



An anisotropic conductive and chronically stable adhesive interface
for bioelectronics

J. Brock Horton, Yewei Huang, Yaxin Fan, and Yuanwen Jiang